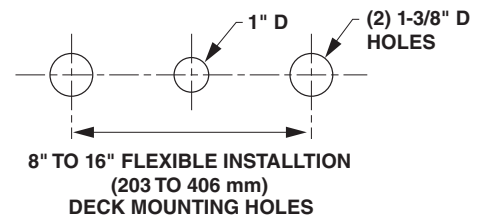
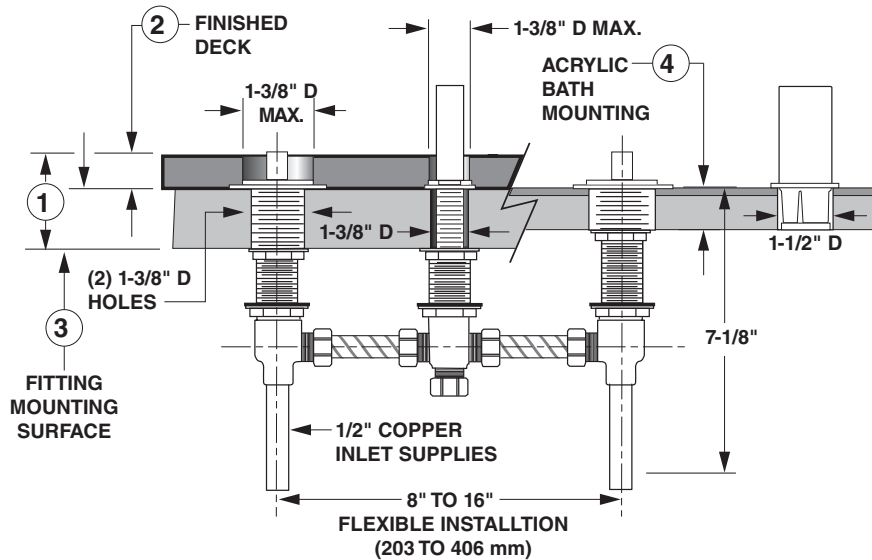


MODEL NUMBER:

- ❑ R900 Flash Roman Tub Filler
Rough Body – LESS Personal Shower
- ❑ R910 Flash Roman Tub Filler
Rough Body – WITH Personal Shower



GENERAL DESCRIPTION:

- Durable Brass Construction
- Flexible installation depth up to 2 1/2"
 - Valve body provides 1 1/2" depth for rough deck
 - Trim kit provides additional 1" adjustability for finished deck
- Flexible installation width for handle spacing
 - includes flexible stainless steel supplies
 - will accept 1/2" (6mm) copper sweat connections
- Test plugs included for water testing without needing trim

PRODUCT FEATURES:

Brass Construction: Durable. Ideal for prolonged contact with water.

Ceramic Disc Valve Cartridge: Assures a lifetime of drip-free performance.

Exclusive Handle Alignment System: Allows fine tuning of handle position.

SUGGESTED SPECIFICATION

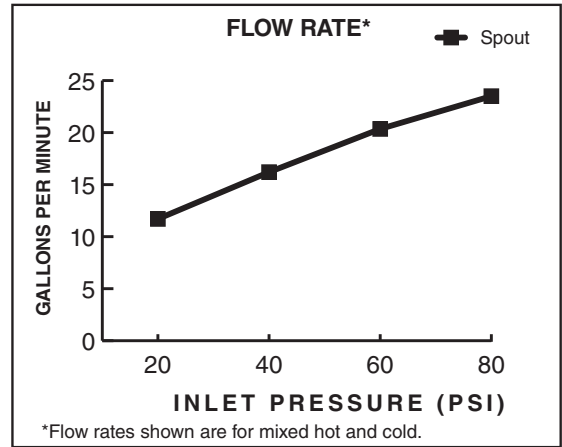
Two handle deck-mount tub filler shall feature cast brass construction. Shall also feature 1/4 turn washerless ceramic disc valve cartridges. Fitting shall be American Standard Model # R9___.

CODES AND STANDARDS

These products meet or exceed the following codes and standards:

ASME A112.18.1
CSA B125.1

Check local plumbing codes. Some installations may require a vacuum breaker.



Product Number	Description	Finish Options
		Unfinished
R900	Flash Roman Tub Filler Rough Valve LESS Shower.	
R910	Flash Roman Tub Filler Rough Valve WITH Shower.	